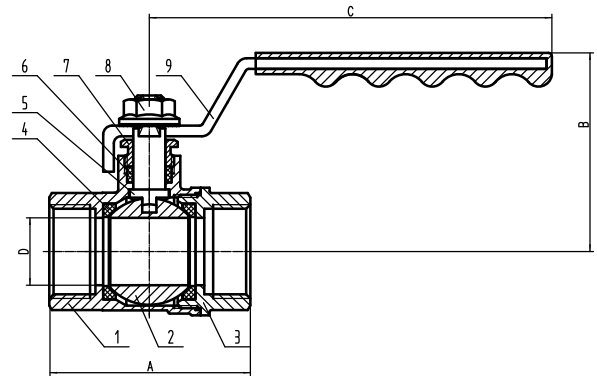


EAGLE VALVE

S0204D DZR Brass Ball Valve Female



Components

No.	Part Name	Qty.	Material
1	Body	1	DZR Brass
2	Ball	1	DZR Brass C.P.
3	Bonnet	1	DZR Brass
4	Seal Ring	2	PTFE
5	Stem	1	DZR Brass
6	Packing	1	PTFE
7	Gland	1	Brass
8	Nut	1	Stainless Steel
9	Handle	1	Plastic covered Steel C.P.

Dimensions

Size	A	B	C	D	Weight
3/8"	43.5	45	85	10	165
1/2"	50	47	85	14.5	183
3/4"	56.5	56	115	19	280
1"	68	60	115	24.5	430
1.1/4"	77	71	130	32	685
1.1/2"	89.5	80	155	40	1120
2"	105	83	155	49	1560

Technical Date

- Work Pressure: 3/8"~3/4" Max. 25 Bar
1"~2" Max. 16 Bar
- Operating Temperature: -10°C~150°C
- Fluid: Water, Neutral Non-adhesive Fluids

Diagram Pressure

